

SPEC. No.	TQ3C-8EACO-E1CWJ24-01
DATE	January 26, 2006

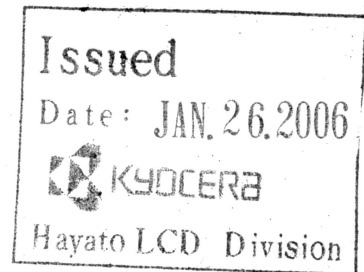
S P E C

FOR : _____

TYPE : KHS072VG1AB-G00

CONTENTS

1. Application
2. Construction and Outline
3. Mechanical Specifications
4. Absolute Maximum Ratings
5. Electrical Characteristics
6. Optical Characteristics
7. Circuit Block Diagram
8. Interface Signals
9. Interface Timing Chart
10. Data and Screen
11. Input Timing Characteristics
12. Supply Voltage Sequence Condition
13. Backlight Characteristics
14. Lot Number Identification
15. Warranty
16. Precautions for Use
17. Reliability Data / Environmental Test
18. Outline Drawing



KYOCERA CORPORATION
KAGOSHIMA HAYATO PLANT
LCD DIVISION

This specification is subject to change without notice.
Consult Kyocera before ordering.

Original	Designed by :Engineering Dept.			Confirmed by :QA Dept.	
Issue Date	Prepared	Checked	Approved	Checked	Approved
November 10, 2003	<i>Y. Yamazaki</i>	<i>M. Ishizawa</i>	<i>M. Fujitani</i>	<i>Y. Matsumoto</i>	<i>S. Hayashi</i>

Caution

1. This Kyocera LCD module has been specifically designed for use only in electronic devices in the areas of audio control, office automation, industrial control, home appliances, etc. The modules should not be used in applications where module failure could result in physical harm or loss of life, and Kyocera expressly disclaims any and all liability relating in any way to the use of the module in such applications.
2. Customer agrees to indemnify, defend and hold Kyocera harmless from and against any and all actions, claims, losses, damages, liabilities, awards, costs, and expenses, including legal fees, resulting from or arising out of Customer's use, or sale for use, of Kyocera modules in applications.
3. Kyocera shall have the right, which Customer hereby acknowledges, to immediately scrap or destroy tooling for Kyocera modules for which no Purchase Orders have been received from the Customer in a two-year period.

Revision Record

Date		Designed by: Engineering Dept.			Confirmed by: QA Dept.	
		Prepared	Checked	Approved	Checked	Approved
Jan. 26, 2006		<i>Y. Yamazaki</i>	<i>H. Nishino</i>	<i>M. Fujitani</i>	<i>Y. Masumoto</i>	<i>D. Hayashi</i>
Rev. No.	Date	Page	Descriptions			
01	Jan. 26, 2006	All page	Delete ()			
		1	1. Application ~Add comment "『RoHS Compliance』"			
		6	6-2. Transmissive mode ~Change CONDITION "Viewing angle range"			
		11	8-1. LCD ~Change LCD side connector "DF9B-31P-1V" → "DF9B-31P-1V(32)" ~Change Recommended matching connector "DF9B-31S-1V" → "DF9B-31S-1V(32)"			
			8-2. CFL ~Add Recommended matching connector "SM02-(8.0)B-BHS-1-TB(LF)(SN) (JST) . . . (RoHS)"			
		19	14. Lot Number Identification ~Change "YEAR", "CODE"			
22	18. Outline Drawing ~Change Drawing (RoHS Compliance)					

1. Application

This data sheet defines the specification for a (640×R G B) ×480 dot, STN Transflective color dot matrix type Liquid Crystal Display with CFL backlight. 『RoHS Compliance』

2. Construction and Outline

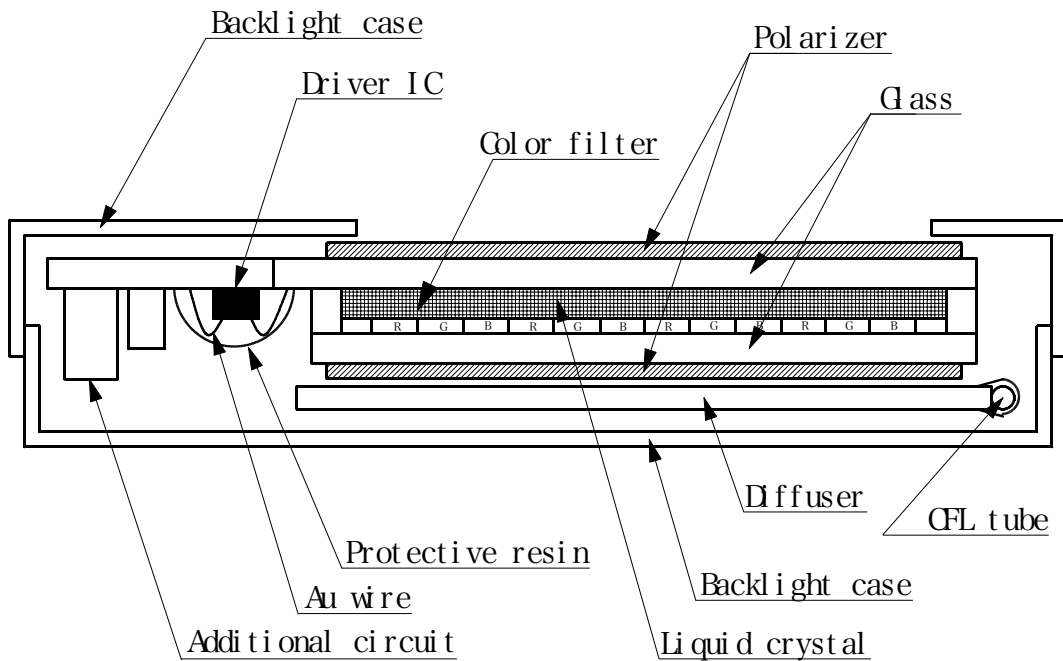
(640×R G B) ×480 dots, COB type LCD with CFL backlight.

Backlight system : Side-edge type CFL (1 tube).

Inverter : Option.
Recommended Inverter : PHBLC08-K2 (HITACHI MEDIA ELECTRONICS)
or equivalent.

Polarizer : Glare treatment.

Additional circuit : Bias voltage circuit, Randomizing circuit, DC-DC converter



This drawing is showing conception only.

3. Mechanical Specifications

ITEM	SPECIFICATION	UNIT
Outline dimensions	179.3 (W) × 130.5 (H) × 6 (D)	mm
Effective viewing area	147.9 (W) × 111.4 (H)	mm
Dot number	(640×RGB) (W) × 480 (H)	Dots
Dot size	0.056 (W) × 0.208 (H)	mm
Dot pitch	0.076 (W) × 0.228 (H)	mm
Display color *1	White *2	—
Base color *1	Black *2	—
Mass	170	g

*1 Due to the characteristics of the LC material, the color vary with environmental temperature.

*2 Negative-type display

Display data "H" : RGB Dots ON : White
 Display data "L" : RGB Dots OFF : Black

4. Absolute Maximum Ratings

4-1. Electrical absolute maximum ratings

ITEM	SYMBOL	MIN	MAX	UNIT
Supply voltage for logic	VDD	0	6.0	V
Supply voltage for LCD driving	VCONT	0	VDD	V
Input Signal voltage *1	Vin	0	VDD+0.3	V

*1 Input signal : CP, LOAD, FRM DISP, HD0~HD7, LD0~LD7

4-2. Environmental absolute maximum ratings

ITEM	SYMBOL	MIN	MAX	UNT
Operating temperature *1	Top	0	50	°C
Storage temperature *2	T _{STO}	-20	60	°C
Operating humidity *3	H _{op}	10	*4	%RH
Storage humidity *3	H _{STO}	10	*4	%RH
Vibration	—	*5	*5	—
Shock	—	*6	*6	—

*1 LCD display quality shall not be guaranteed at the temperature range of :
below 0°C and upper 40°C.

*2 Temp. = -20°C < 48 h , Temp = 60°C < 168 h
Store LCD panel at normal temperature/humidity. Keep it free from vibration and shock.
LCD panel that is kept at low or high temperature for a long time can be defective due to
the other conditions, even if the temperature satisfies standard.
(Please refer to 16. Precautions for use as detail).

*3 Non-condensation.

*4 Temp. ≤ 40°C, 85% RH Max.
Temp. > 40°C, Absolute Humidity shall be less than 85%RH at 40°C.

*5

Frequency	10~55 Hz	Converted to acceleration value : (0.3~9 m/s ²)
Vibration width	0.15 mm	
Interval	10-55-10 Hz	1 minute

2 hours in each direction X/Y/Z (6 hours as total)
EIAJ ED-2531

*6 Acceleration: 490 m/s²
Pulse width : 11 ms
3 times in each direction : ±X ±Y ±Z
EIAJ ED-2531

5. Electrical Characteristics

5-1. VDD = 3.3V

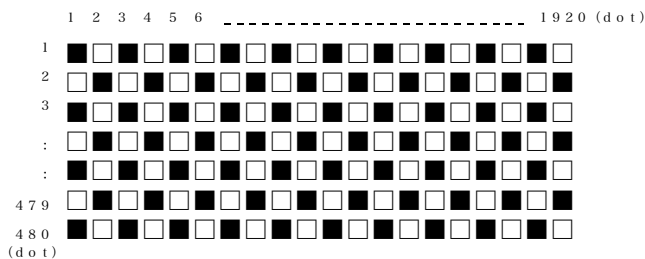
VDD = +3.3V ± 0.3V, Temp. = 0~50°C

ITEM	SYMBOL	CONDITION	MIN	TYP.	MAX	UNIT
Supply voltage for logic	VDD	—	3.0	3.3	3.6	V
LCD driving voltage *1	Vop = VCONT	0 °C	0.80	—	—	V
		25 °C	1.35	1.95	2.55	V
		50 °C	—	—	2.80	V
Input voltage	Vin	"H" level	0.8VDD	—	VDD	V
		"L" level	0	—	0.2VDD	V
Clock frequency	fcp		4.03	4.32	10.0	MHz
Frame frequency *2	fFRM		70	75	80	Hz
Current consumption for logic	IDD	—	—	126	189	mA
Power consumption	Pdisp		—	416	624	nW

*1 Maximum contrast ratio is obtained by adjusting the LCD supply voltage (Vop = VCONT) for driving LCD

*2 In consideration of display quality, it is recommended that frame frequency is set in the range of 70-80Hz. When you have to use higher frame and clock frequencies, confirm the LCD's performance and quality prior to finalizing the frequency values: Generally, as frame and clock frequencies become higher current consumption will get bigger and display quality will be degraded.

*3 Display high frequency pattern, (see below).
 VDD = 3.3V, Vop = VCONT, fFRM = 75 Hz, fcp = 4.32MHz, Temp. = 25°C
 Pattern:



5-2. VDD = 5.0V

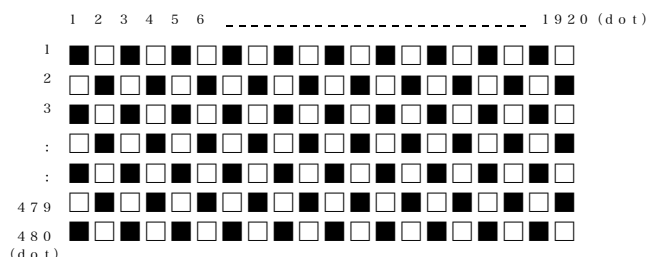
VDD = +5.0V ± 5% Temp. = 0~50°C

ITEM	SYMBOL	CONDITION	MIN	TYP.	MAX	UNIT
Supply voltage for logic	VDD	—	4.75	5.0	5.25	V
LCD driving voltage *1	Vop=VCONT	0°C	0.80	—	—	V
		25 °C	1.35	1.95	2.55	V
		50 °C	—	—	2.80	V
Input voltage	Vin	"H" level	0.8VDD	—	VDD	V
		"L" level	0	—	0.2VDD	V
Clock frequency	fcp		4.03	4.32	16.0	MHz
Frame frequency *2	fFRM		70	75	80	Hz
Current consumption for logic	IDD	*3	—	86	129	mA
Power consumption	Pdisp		—	430	645	mW

*1 Maximum contrast ratio is obtained by adjusting the LCD supply voltage (Vop = VCONT) for driving LCD

*2 In consideration of display quality, it is recommended that frame frequency is set in the range of 70-80Hz. When you have to use higher frame and clock frequencies, confirm the LCD's performance and quality prior to finalizing the frequency values: Generally, as frame and clock frequencies become higher, current consumption will get bigger and display quality will be degraded.

*3 Display high frequency pattern, (see below).
 VDD = 5.0V , Vop = VCONT , fFRM = 75 Hz , fcp = 4.32MHz , Temp. = 25°C
 Pattern:



6. Optical Characteristics

6-1. Reflective mode

Measuring Spot = ϕ 6mm , Temp. = 25°C

ITEM		SYMBOL	CONDITION	MIN	TYP.	MAX	UNIT
Response Time	Rise	Tr	$\theta = \phi = \theta$	—	200	300	ns
	Down	Td	$\theta = \phi = \theta$	—	150	250	ns
Contrast ratio		CR	$\theta = \phi = \theta$	4.5	9.0	—	—
Reflectance		ρ	—	5.0	10.0	—	%

Optimum contrast is obtained by adjusting the LCD driving voltage(V_{op}) while at the viewing angle of $\theta = \phi = 0^\circ$.

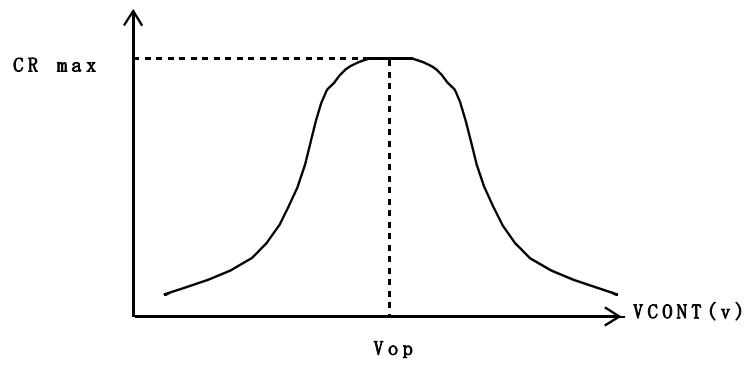
6-2. Transmissive mode

Measuring Spot = ϕ 6mm , Temp. = 25°C

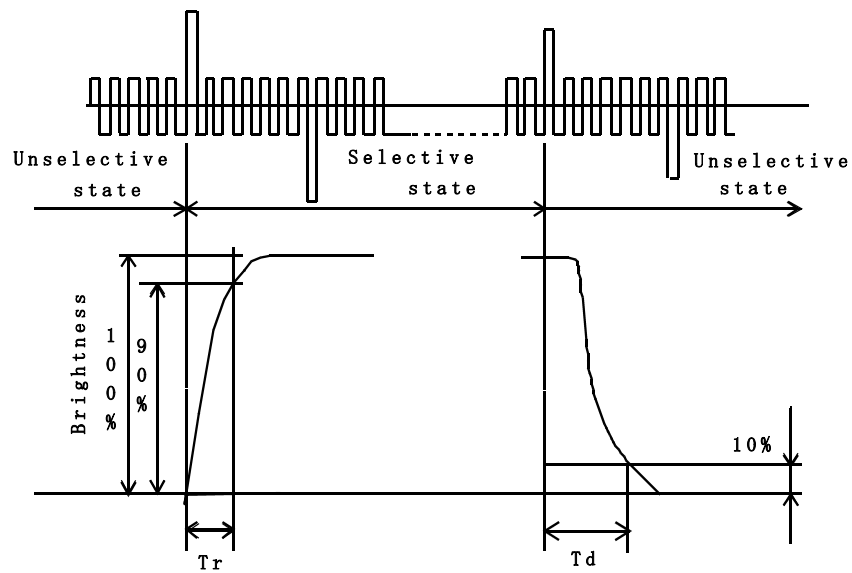
ITEM		SYMBOL	CONDITION	MIN	TYP.	MAX	UNIT	
Response time	Rise	Tr	$\theta = \phi = 0^\circ$	—	200	300	ns	
	Down	Td	$\theta = \phi = 0^\circ$	—	150	250	ns	
Viewing angle range		θ	$CR \geq 2$	Upper	—	40	—	deg.
				Lower	—	30	—	
		ϕ		Left	—	50	—	deg.
				Right	—	50	—	
Contrast ratio		CR	$\theta = \phi = 0^\circ$	12.5	25.0	—	—	
Brightness		L	$I_L = 5.0mA$	15.0	30.0	—	cd/m ²	
Chromaticity coordinates	Red	x	$\theta = \phi = 0^\circ$	0.36	0.41	0.46	—	
		y		0.23	0.28	0.33		
	Green	x	$\theta = \phi = 0^\circ$	0.23	0.28	0.33		
		y		0.31	0.36	0.41		
	Blue	x	$\theta = \phi = 0^\circ$	0.15	0.20	0.25		
		y		0.16	0.21	0.26		
	White	x	$\theta = \phi = 0^\circ$	0.24	0.29	0.34		
		y		0.25	0.30	0.35		

Optimum contrast is obtained by adjusting the LCD driving voltage(V_{op}) while at the viewing angle of $\theta = \phi = 0^\circ$.

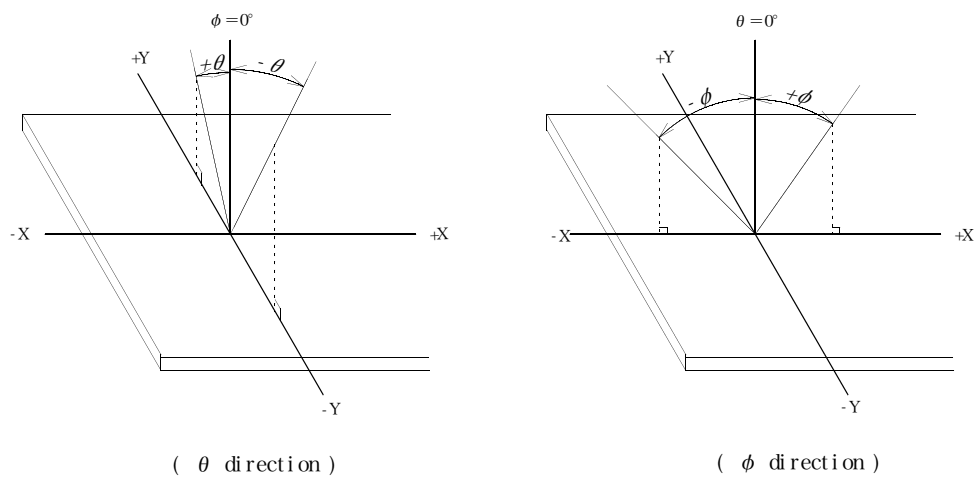
6-3. Definition of V_{op}



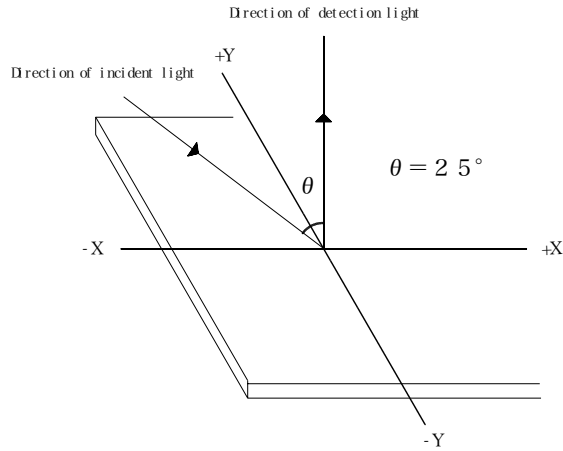
6-4. Definition of response time



6-5. Definition of viewing angle



6-6. Measurement method of reflectance



6-7. Definition of Contrast (Reflective Mode)

$$CR(\text{Contrast}) = \frac{\text{Reflection Brightness at all pixels "White"}}{\text{Reflection Brightness at all pixels "Black"}}$$

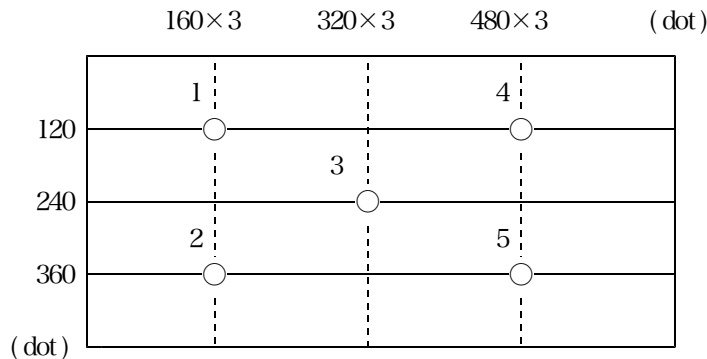
6-8. Definition of Contrast (Transmissive Mode)

$$CR(\text{Contrast}) = \frac{\text{Brightness at all pixels "White"}}{\text{Brightness at all pixels "Black"}}$$

6-9. Definition of Reflectance:

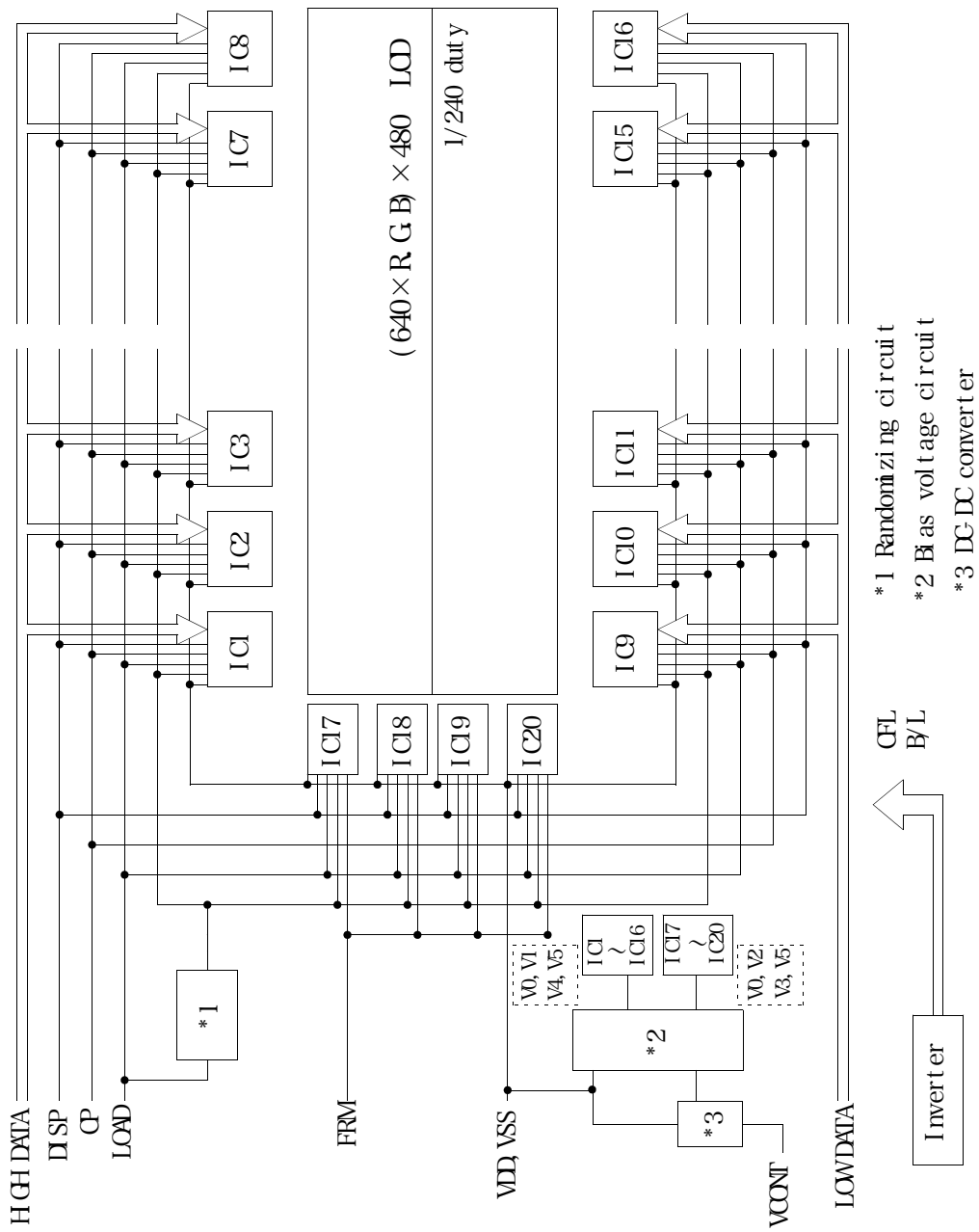
$$\rho(\text{Reflectance}) = \frac{\text{Measured Reflection Brightness}}{\text{Reflection Brightness against Standard White Board}} \times 100(\%)$$

6-10. Measuring points

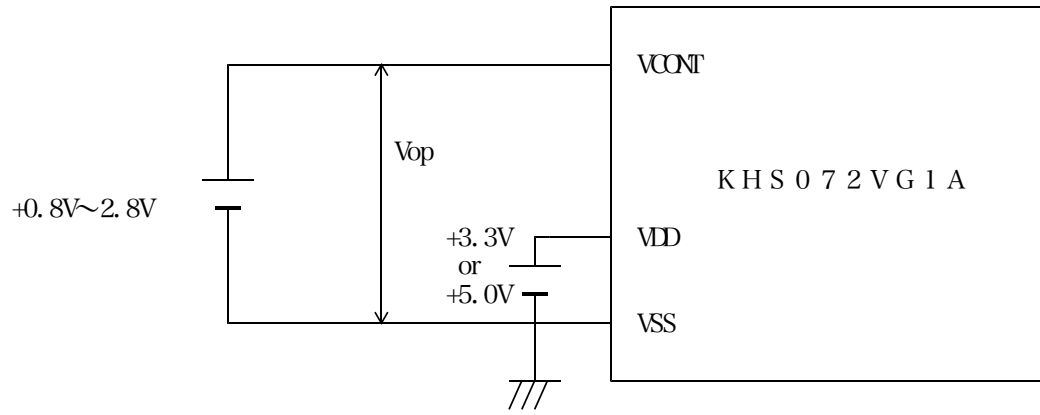


- 1) Rating is defined as the average brightness inside the viewing area.
- 2) 30 minutes after CFL is turned on. (Ambient Temp. = 25°C)
- 3) The inverter should meet the eccentric conditions;
 - Sine, symmetric waveform without spike in positive and negative.
- 4) Measuring Inverter : PHBL08-K2(HITACHI MEDIA ELECTRONICS)

7. Circuit Block Diagram



7-1. Power supply



8. Interface signals

8-1. LCD

PIN No.	SYMBOL	DESCRIPTION	LEVEL
1	LD4	Display data (Lower column)	H (ON), L (OFF)
2	VSS	GND	—
3	LD5	Display data (Lower column)	H (ON), L (OFF)
4	FRM	Synchronous signal for driving scanning line	H
5	LD6	Display data (Lower column)	H (ON), L (OFF)
6	LOAD	Data signal latch clock	H → L
7	LD7	Display data (Lower column)	H (ON), L (OFF)
8	VSS	GND	—
9	VSS	GND	—
10	CP	Data signal shift clock	H → L
11	LD0	Display data (Lower column)	H (ON), L (OFF)
12	VCONT	LCD adjust voltage	—
13	LD1	Display data (Lower column)	H (ON), L (OFF)
14	VDD	Power supply for logic	—
15	VSS	GND	—
16	VDD	Power supply for logic	—
17	LD2	Display data (Lower column)	H (ON), L (OFF)
18	DISP	Display control signal	H (ON), L (OFF)
19	LD3	Display data (Lower column)	H (ON), L (OFF)
20	NC	No connect	—
21	VSS	GND	—
22	HD3	Display data (Upper column)	H (ON), L (OFF)
23	HD4	Display data (Upper column)	H (ON), L (OFF)
24	HD2	Display data (Upper column)	H (ON), L (OFF)
25	HD5	Display data (Upper column)	H (ON), L (OFF)
26	HD1	Display data (Upper column)	H (ON), L (OFF)
27	VSS	GND	—
28	HD0	Display data (Upper column)	H (ON), L (OFF)
29	HD6	Display data (Upper column)	H (ON), L (OFF)
30	VSS	GND	—
31	HD7	Display data (Upper column)	H (ON), L (OFF)

LCD side connector : DF9B-31P-1V(32) (H ROSE)

Recommended mating connector : DF9B-31S-1V(32) (H ROSE)

8-2. CFL

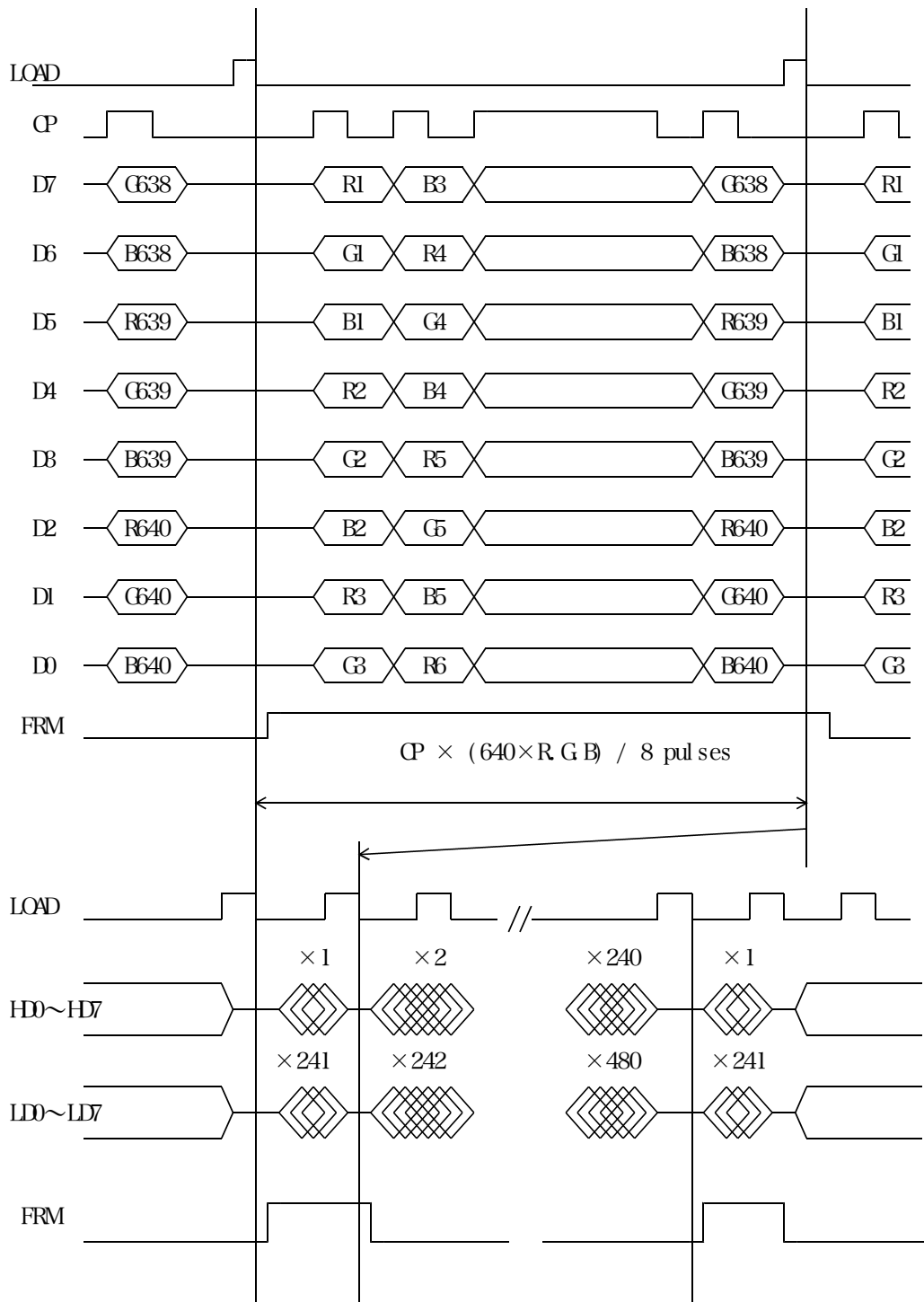
PIN No.	SYMBOL	DESCRIPTION
1	HOF	Inverter output high voltage side
2	NC	—
3	COLD	Inverter output low voltage side

LCD side connector : BFR-03VS-1 (JST)

Recommended mating connector : SM02-(8.0)B-BFH-1 (JST)

: SM02-(8.0)B-BFH-1-TB(LF)(SN) (JST) . . . (RoHS)

9. Interface Timing Chart

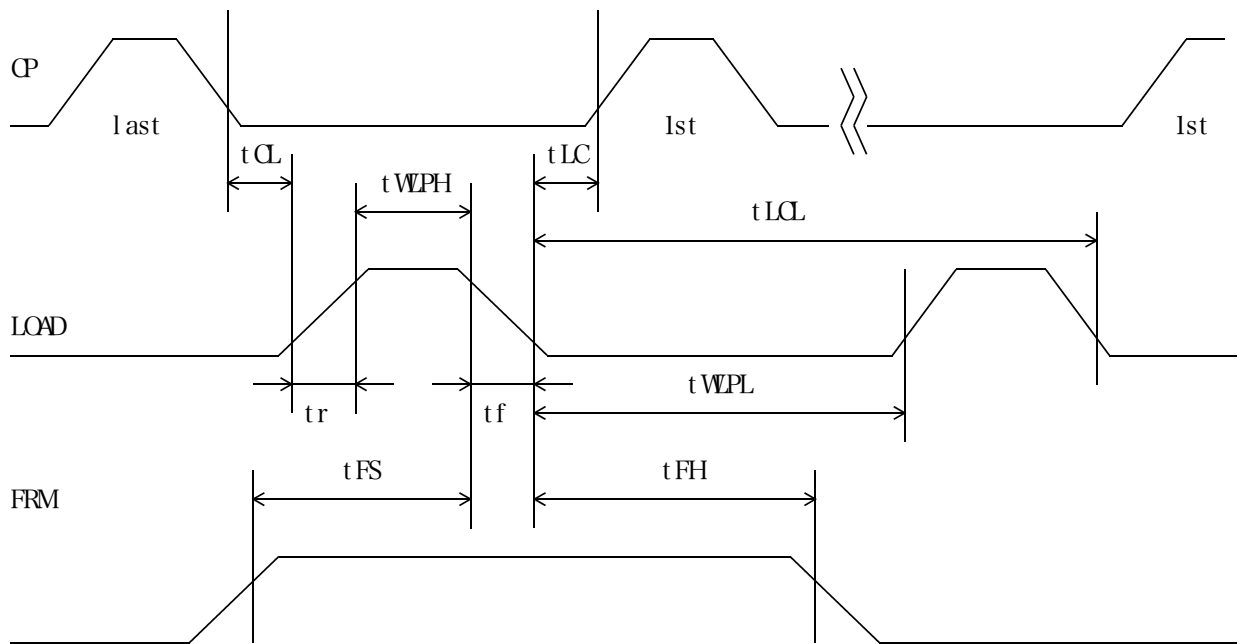
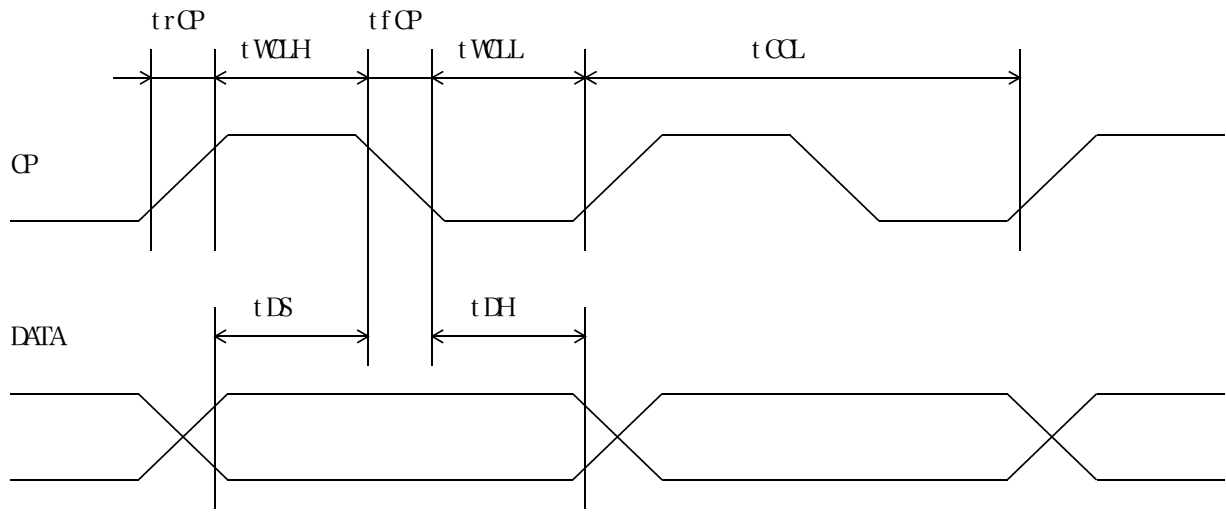


- * The cycle of load signal should be stable and continuously applied without interruption.
- * The above-mentioned timing chart shows a reference to set up a LCD module, not an electrical rating.

10. Data and Screen

CHP AREA														
C H I P A R E A	X1 · · · · X240 X241 · · · X480	Y1			Y2			Y3			...	Y640		
		HD7 R1	HD6 G1	HD5 B1	HD4 R2	HD3 G2	HD2 B2	HD1 R3	HD0 G3	HD7 B3		HD2 R640	HD1 G640	HD0 B640
		LD7 R1	LD6 G1	LD5 B1	LD4 R2	LD3 G2	LD2 B2	LD1 R3	LD0 G3	LD7 B3		LD2 R640	LD1 G640	LD0 B640
CHP AREA														

11. Input Timing Characteristics



11-1. Switching characteristics (VDD = 3.3V)

Input Characteristics ; VDD = +3.3V ± 0.3V, Temp. = 0~50 °C

ITEM	SYMBOL	MIN	MAX	UNIT
CP Cycle *1,*2	t _{CCL}	100	—	ns
CP "H" Pulse Width *2	t _{WLH}	40	—	ns
CP "L" Pulse Width *2	t _{WLL}	40	—	ns
CP Rise Up Time *2	t _{rCP}	—	30	ns
CP Fall Down Time *2	t _{fCP}	—	30	ns
Data Set Up Time	t _{DS}	30	—	ns
Data Hld Time	t _{DH}	20	—	ns
LOAD "H" Pulse Width	t _{WPH}	100	—	ns
LOAD "L" Pulse Width	t _{WPL}	4900	—	ns
LOAD Cycle *3	t _{LCL}	5000	—	ns
CP→LOAD Delay Time	t _{CL}	0	—	ns
LOAD→CP Delay Time *4	t _{LC}	200-t _{WPH}	—	ns
Input Signal Rise Up Time	t _r	—	30	ns
Input Signal Fall Down Time	t _f	—	30	ns
FRMData Set Up Time	t _{FS}	100	—	ns
FRMData Hld Time	t _{FH}	30	—	ns

*1 CP Cycle is adjust so that FRMsignal is 75Hz.

*2 The formula of condition

① $t_{rCP} + t_{fCP} \leq t_{CCL} - (t_{WLH} + t_{WLL})$

② $t_{rCP}, t_{fCP} \leq 30 \text{ ns}$

Please use on condition that ①, ② are filled.

*3 LOAD Cycle is const.

*4 $t_{LC} \geq 0$

11-2. Switching characteristics (VDD = 5.0V)

Input Characteristics ; VDD = +5.0V ± 5% Temp. = 0~50 °C

ITEM	SYMBOL	MIN	MAX	UNIT
CP Cycle *1,*2	t _{CCL}	62	—	ns
CP "H" Pulse Width *2	t _{WLH}	25	—	ns
CP "L" Pulse Width *2	t _{WLL}	25	—	ns
CP Rise Up Time *2	t _{rCP}	—	30	ns
CP Fall Down Time *2	t _{fCP}	—	30	ns
Data Set Up Time	t _{DS}	25	—	ns
Data Hld Time	t _{DH}	20	—	ns
LOAD "H" Pulse Width	t _{WPH}	50	—	ns
LOAD "L" Pulse Width	t _{WPL}	370	—	ns
LOAD Cycle *3	t _{LCL}	420	—	ns
CP→LOAD Delay Time	t _{CL}	0	—	ns
LOAD→CP Delay Time *4	t _{LC}	200-t _{WPH}	—	ns
Input Signal Rise Up Time	t _r	—	30	ns
Input Signal Fall Down Time	t _f	—	30	ns
FRMData Set Up Time	t _{FS}	100	—	ns
FRMData Hld Time	t _{FH}	30	—	ns

*1 CP Cycle is adjust so that FRMsignal is 75Hz.

*2 The formula of condition

① $t_{rCP} + t_{fCP} \leq t_{CCL} - (t_{WLH} + t_{WLL})$

② $t_{rCP}, t_{fCP} \leq 30 \text{ ns}$

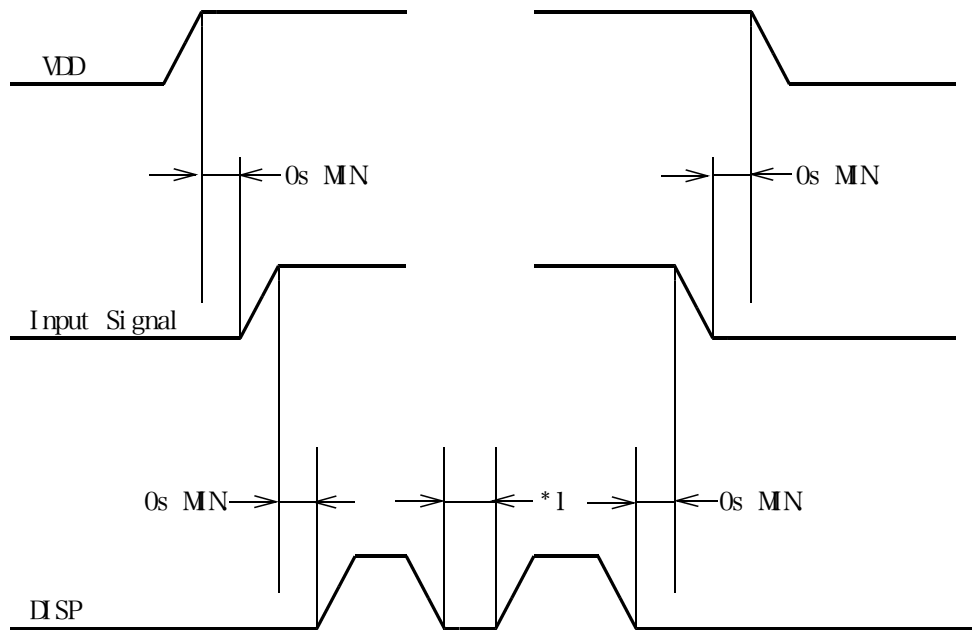
Please use on condition that ①, ② are filled.

*3 LOAD Cycle is const.

*4 $t_{LC} \geq 0$

1.2. Supply Voltage Sequence Condition

Always follow the power supply ON/OFF sequence as specified below. Unless you follow the power supply ON/OFF sequences, driving circuit in the LCD may irreparably break and/or DC voltage may be supplied to the LCD. DC voltage induces irreversible electrochemical reactions on the screen and reduce LCD life.



*1 DO NOT re-start driving the LCD within 500ns after once turning off DISP signal.

* Input signal : CP, LOAD, FRM, VCONT, HD0~HD7, LD0~LD7

* The above sequence should be designed as to keep each normal figure on condition that liquid crystal module is loaded on your system

* Control the supply voltage sequence not to float all signal line when the LCD panel is driving.

13. Backlight Characteristics

CFL ratings

Temp. = 25°C

ITEM	SYMBOL	MIN	TYP.	MAX	NOTE
Starting discharge Voltage *1	VS	—	—	935 Vrms.	0 °C
		—	—	650 Vrms.	25 °C
Discharging tube current *2,*3	IL	2.0mA rms.	5.0mA rms.	6.0mA rms.	—
Discharging tube voltage	VL	—	385Vrms.	—	—
Operating life *4 IL=5.0 mA rms.	T	25,000h	40,000h	—	—
Operating frequency	F	20 kHz	—	100 kHz	—

*1 The Non-load output voltage (VS) of the inverter should be designed to have some margin, because VS may increase due to the leak current which may be caused by wiring of CFL cables. (Reference value : (1,216 Vrms MIN))

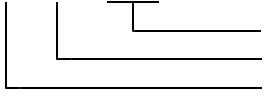
*2 We recommend that you should set the discharging tube current at lower than typical value so as to prevent the heat accumulation of CFL tube from deteriorating a performance of the LCD

*3 Do not apply more than 6.0mA discharging tube current. Because CFL may be broken due to over current.

*4 When the illuminance or quantity of light has decreased to 50% of the initial value, average life time of CFL will be decreased when LCD is operating at lower and higher temperature.

14. Lot Number Identification

The lot number shall be indicated on the back of the backlight case of each LCD

K H S 0 7 2 V G 1 A B - G 0 0 □ □ - □ □

DATE
MONTH
YEAR

YEAR	2006	2007	2008	2009	2010	2011
CODE	6	7	8	9	0	1

MONTH	JAN	FEB.	MAR	APR	MAY	JUN
CODE	1	2	3	4	5	6

MONTH	JUL	AUG	SEP.	OCT.	NOV.	DEC
CODE	7	8	9	X	Y	Z

15. Warranty

15-1. Incoming inspection

Please inspect the LCD within one month after your receipt.

15-2. Production Warranty

Kyocera warrants its LCDs for a period of 12 months after receipt by the purchaser, and within the limits specified. Kyocera shall, by mutual agreement, replace or rework defective LCDs that are shown to be Kyocera's responsibility.

16. Precautions for use

16-1. Installation of the LCD

1. Please ground either of the mounting (screw) holes located at each corner of an LCD module, in order to stabilize brightness and display quality.
2. A transparent protection plate shall be added to protect the LCD and its polarizers.
3. The LCD shall be installed so that there is no pressure on the LSI chips.
4. The LCD shall be installed flat, without twisting or bending.
5. The display window size should be the same as the effective viewing area.
6. In case you use outside frame of effective viewing area as outward appearance of your product, unevenness of its outward appearance is out of guarantee.
7. Do not pull the CFL lead wires and do not bend the root of the wires. Housing should be designed to protect CFL lead wires from external stress.
8. When you attach or detach a connector, do not make any stress such as a warp and a twist to the LCD. Extremely strong stress may deteriorate a display quality like the LCD crack or line missing etc.
9. This Kyocera LCD module has been specifically designed for use in general electronic devices, but not for use in a special environment such as usage in an active gas. Hence, when the LCD is supposed to be used in a special environment, evaluate the LCD thoroughly beforehand and do not expose the LCD to chemicals such as an active gas.

16-2. Static Electricity

1. Since CMOS ICs are mounted directly onto the LCD glass, protection from static electricity is required. Operation should wear ground straps.

16-3. LCD Operation

1. The LCD shall be operated within the limits specified. Operation at values outside of these limits may shorten life, and/or harm display images.
2. Adjust "LCD driving voltage" to obtain optimum viewing angle and contrast.
3. Operation of the LCD at temperature below the limit specified may cause image degradation and/or bubbles. It may also change the characteristics of the liquid crystal. This phenomenon may not recover. The LCD shall be operated within the temperature limits specified.

16-4. Storage

1. The LCD shall be stored within the temperature and humidity limits specified. Store in a dark area, and protect the LCD from direct sunlight or fluorescent light.
2. Always store the LCD so that it is free from external pressure onto it.

16-5. Screen Surface

1. DO NOT store in a high humidity environment for extended periods. Image degradation, bubbles, and/or peeling off of polarizer may result.
2. The front polarizer is easily scratched or damaged. Prevent touching it with any hard material, and from being pushed or rubbed.
3. The LCD screen may be cleaned with a soft cloth or cotton pad. Methanol, or Isopropyl Alcohol may be used, but insure that all solvent residue is removed.
4. Water may cause damage or discoloration of the polarizer. Clean any condensation or moisture from any source immediately.
5. Always keep the LCD free from condensation during testing. Condensation may permanently spot or stain the polarizers.

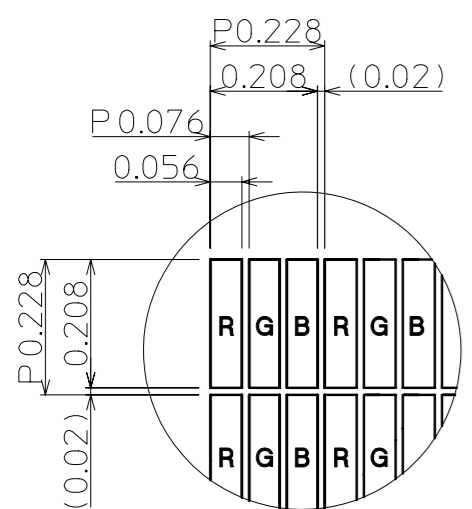
17. Reliability Data / Environmental Test

TEST ITEM	TEST CONDITION	TEST TIME	RESULT
High Temp. Atmosphere	70°C	240 h	Display Quality : No defect Display Function : No defect Current Consumption : No defect
Low Temp. Atmosphere	-20°C	240 h	Low Temp. Bubble : None Solid Crystallization of Liquid Crystal : None Display Quality : No defect Display Function : No defect Current Consumption : No defect
High Temp. Humidity Atmosphere	40°C 90%RH	240 h	Display Quality : No defect Display Function : No defect Peel-off of Organic Sealing : None Current Consumption : No defect
Temp. Cycle	-20°C 0.5 h R.T. 0.5 h 70°C 0.5 h	10 cycles	Display Quality : No defect Display Function : No defect Peel-off of Organic Sealing : None Bubble on Cell : None
High Temp. Operation	50°C Vop	500 h	Display Quality : No defect Current Consumption : No defect

- * Each test item uses a test LCD only once. The tested LCD is not used in any other tests.
- * The LCD is tested in circumstances in which there is no condensation.
- * The tested LCD is inspected after 24 hours of storage at room temperature and room humidity after each test is finished.
- * The reliability test is not an out-going inspection.
- * The result of the reliability test are for your reference purpose only.
The reliability test is conducted only to examine the LCD's capability.

1 2 3 4 5 6 7 8 9 10 11 12

No	Description	Drawn	Checked	Checked	Approved
△	Change Connector (コネクタ-名変更) ・DF9B-31P-1V(32) (HIROSE) ・DF9B-31S-1V(32) (HIROSE) Add Matching Connector (コネクタ-鉛フリー品追加) ・SM02(8.0)B-BHS-1-TB(LF)(SN) (JST) Add Japanese Comment (日本語追記)	'06.01.23 茶園	'06.01.26 今村		'06.01.26 朝倉

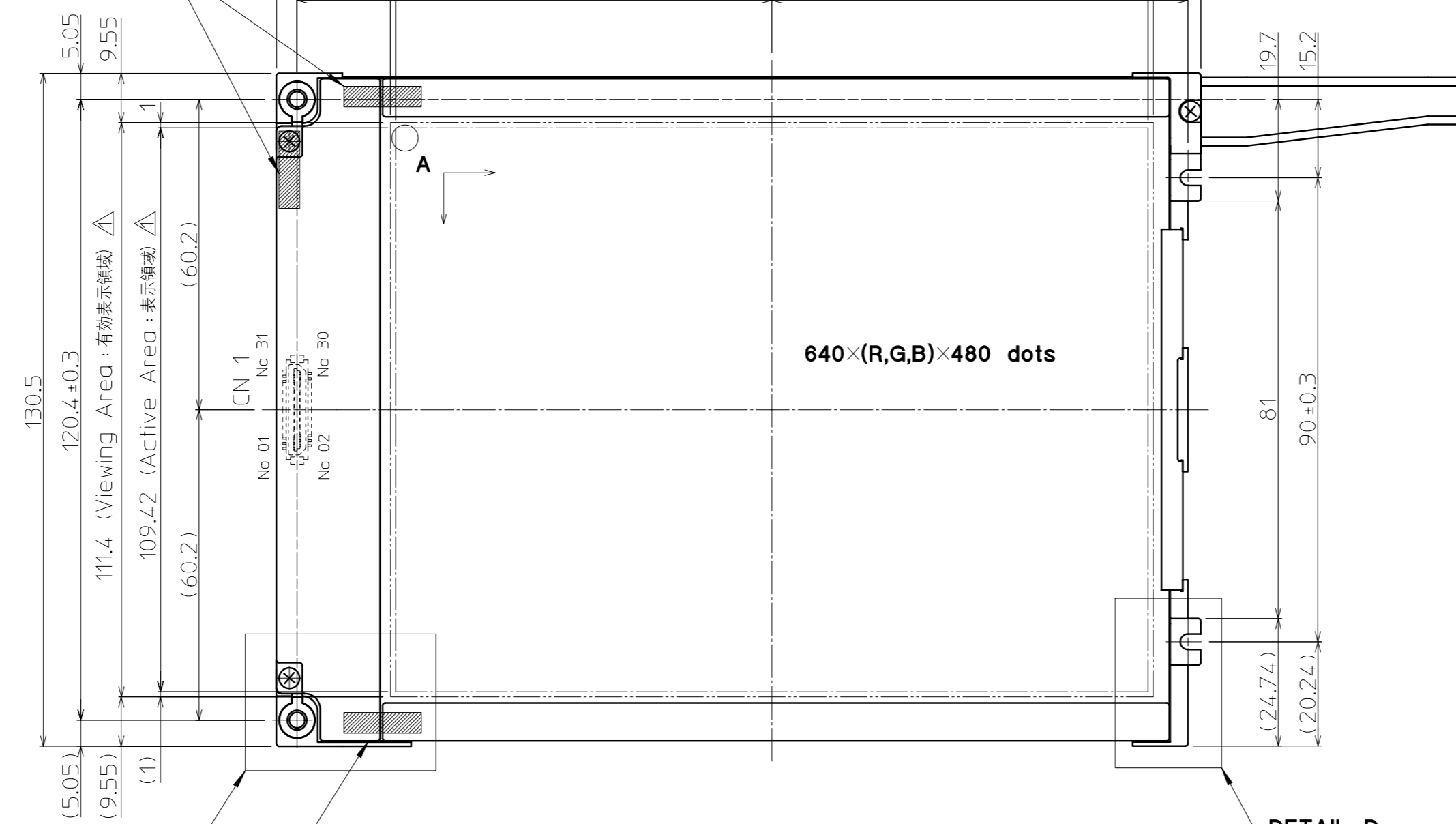


DETAIL A (NTS)
(Dot Size)

insert direction
(挿入方向) △

DETAIL B

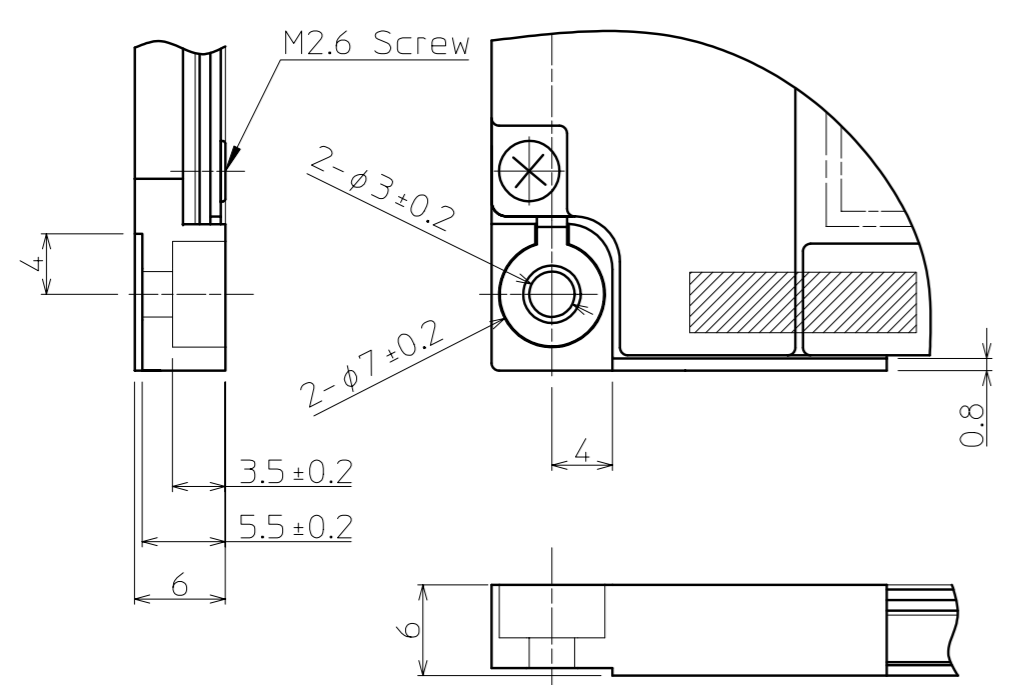
Electric Conducting Tape
(導通テープ) △
(W4xL15±3)



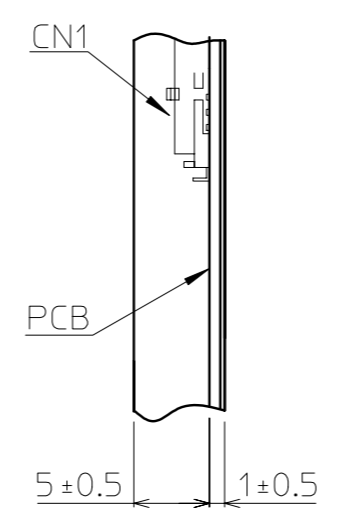
DETAIL C

Electric Conducting Tape
(導通テープ) △
(W4xL15±3)

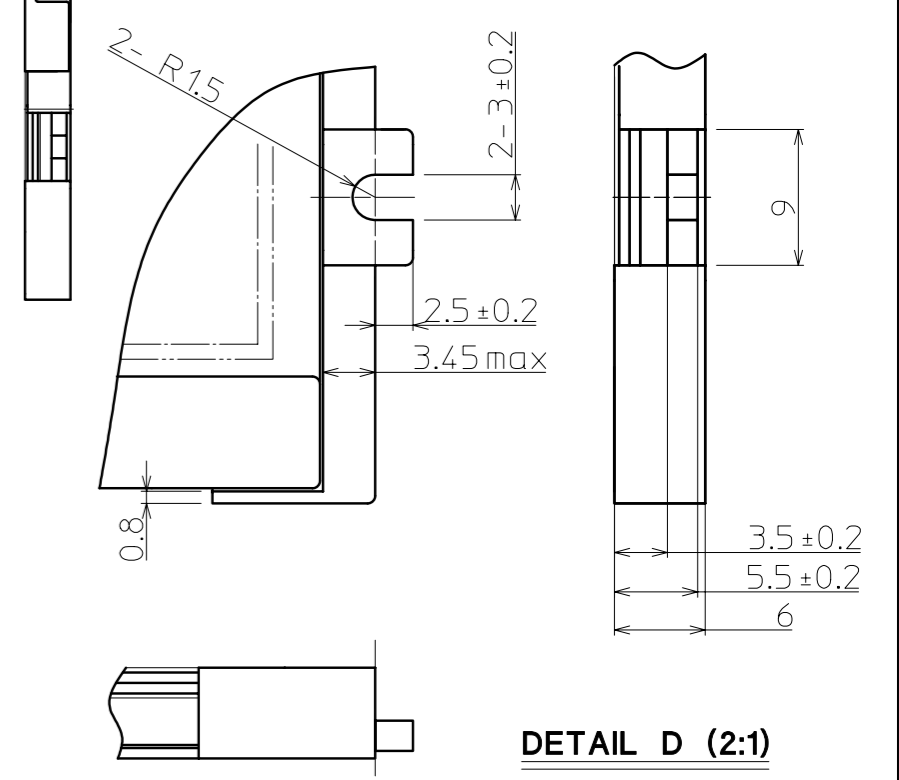
DETAIL D



DETAIL C (2:1)



DETAIL B (2:1)



DETAIL D (2:1)

Note

- Connector CN1 : DF9B-31P-1V(32) (HIROSE) △
(コネクタ) CN2 : BHR-03VS-1 (JST)
- Matching Connector CN1 : DF9B-31S-1V(32) (HIROSE) △
(適合コネクタ) CN2 : SM02(8.0)B-BHS-1 (JST)
: SM02(8.0)B-BHS-1-TB(LF)(SN) (JST) △
- The drawing is the front view of the LCD. Information is displayed starting at the upper left hand corner, moving right then down to the lower right hand corner.
(LCDの正面図において、画像データの表示は左上コーナーから始まり、右へ進み下へ送られ右下コーナーへ向かう。)
- Tolerance without indication : ±0.5
(指示無き公差)

Material 材質	Treatment 処理	Approved '03.10.14 朝倉	Checked	Checked '03.10.14 今村	Drawn 堀	Scale 1:1 (2:1,NTS)	Title KHS072VG1AB Outline Dimensions	 Drawing No. 121A5025600-1	Year-Month-Day '03.10.13	Size 2
Quantity 製作数	Description; 備考 RoHS 03004NDA									

1 2 3 4 5 6 7 8 9 10 11 12

SPEC. No.

TQ3C-8EACO-E2CWJ27-00

DATE

November 10, 2003

FOR: _____

KYOCERA INSPECTION STANDARDTYPE: KHS072VG1AB-G00

KYOCERA CORPORATION
 KAGOSHIMA HAYATO PLANT
 LCD DIVISION

Original	Designed by :Engineering Dept.			Confirmed by :QA Dept.	
Issue Data	Prepared	Checked	Approved	Checked	Approved
November 10, 2003	<i>W. Yamada</i>	<i>M. Fujitani</i>	<i>H. Ohno</i>	<i>Y. Yoshida</i>	<i>S. Hayashi</i>

Revision Record

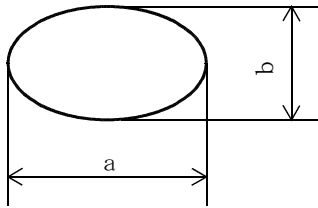
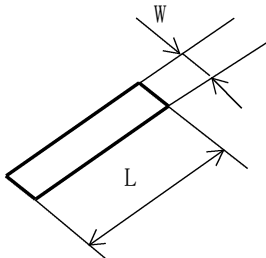
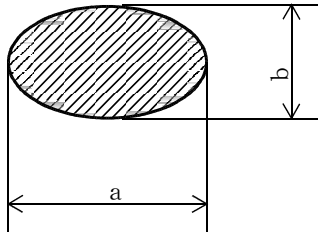
Date	Designed by: Engineering Dept.			Confirmed by: QA Dept.	
	Prepared	Checked	Approved	Checked	Approved
Rev. No.	Date	Page	Descriptions		

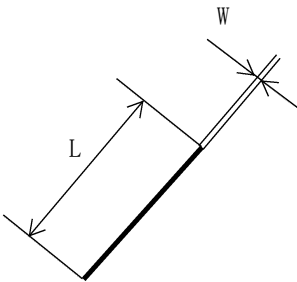
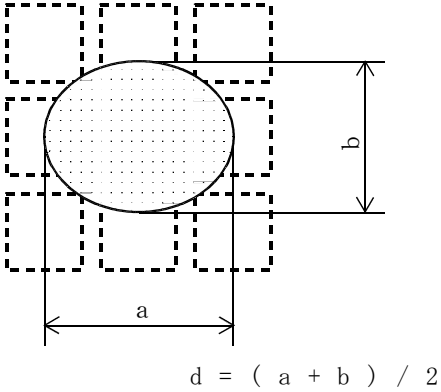
Visuals specification

1)Note

Item	Note
General	<p>1. When defects specified in this Inspection Standards are inspected, operating voltage(Vop) shall be set at the level where optimized contrast is available. Display quality is applied up to effective viewing area. (Bi-Level INSPECTION)</p> <p>2. This inspection standard about the image quality shall be applied to any defect within the effective viewing area and shall not be applicable to outside of the area.</p> <p>3. Should any defects which are not specified in this standard happen, additional standard shall be determined by mutual agreement between customer and Kyocera.</p> <p>4. Inspection conditions</p> <p>Luminance : 500 Lux minimum . Inspection distance : 300 mm (from the sample) Temperature : 25 ± 5 °C Direction : right above</p>
Definition of Inspection item	<p>Pinhole, Bright spot Black spot, Scratch Foreign particle</p> <p>The color of a small area is different from the remainder. The phenomenon does not change with voltage.</p>
	<p>Contrast variation</p> <p>The color of a small area is different from the remainder. The phenomenon changes with voltage.</p>
	<p>Polarizer (Scratch, Bubble, Dent)</p> <p>Scratch, Bubble and Dent in the polarizer which can be observed in on / off state.</p>

2) Standard

Inspection item	Judgement standard																						
Pinhole, Bright spot Black spot, Foreign particle	<div style="text-align: center;">  $d = (a + b) / 2$ <table border="1" data-bbox="587 566 1393 801"> <thead> <tr> <th>Category</th> <th>Size (mm)</th> <th>Acceptable number</th> </tr> </thead> <tbody> <tr> <td>A</td> <td>$d \leq 0.2$</td> <td>neglected</td> </tr> <tr> <td>B</td> <td>$0.2 < d \leq 0.3$</td> <td>5</td> </tr> <tr> <td>C</td> <td>$0.3 < d \leq 0.5$</td> <td>3</td> </tr> <tr> <td>D</td> <td>$0.5 < d$</td> <td>0</td> </tr> </tbody> </table> </div>	Category	Size (mm)	Acceptable number	A	$d \leq 0.2$	neglected	B	$0.2 < d \leq 0.3$	5	C	$0.3 < d \leq 0.5$	3	D	$0.5 < d$	0							
Category	Size (mm)	Acceptable number																					
A	$d \leq 0.2$	neglected																					
B	$0.2 < d \leq 0.3$	5																					
C	$0.3 < d \leq 0.5$	3																					
D	$0.5 < d$	0																					
Scratch, Foreign particle	<div style="text-align: center;">  <table border="1" data-bbox="557 1171 1422 1473"> <thead> <tr> <th></th> <th>Width (mm)</th> <th>Length (mm)</th> <th>Acceptable No.</th> </tr> </thead> <tbody> <tr> <td>A</td> <td>$W \leq 0.03$</td> <td>—</td> <td>neglected</td> </tr> <tr> <td>B</td> <td rowspan="3">$0.03 < W \leq 0.1$</td> <td>$L \leq 2.0$</td> <td>neglected</td> </tr> <tr> <td>C</td> <td>$2.0 < L \leq 4.0$</td> <td>3</td> </tr> <tr> <td>D</td> <td>$4.0 < L$</td> <td>0</td> </tr> <tr> <td>E</td> <td>$0.1 < W$</td> <td>—</td> <td>According to Circular</td> </tr> </tbody> </table> </div>		Width (mm)	Length (mm)	Acceptable No.	A	$W \leq 0.03$	—	neglected	B	$0.03 < W \leq 0.1$	$L \leq 2.0$	neglected	C	$2.0 < L \leq 4.0$	3	D	$4.0 < L$	0	E	$0.1 < W$	—	According to Circular
	Width (mm)	Length (mm)	Acceptable No.																				
A	$W \leq 0.03$	—	neglected																				
B	$0.03 < W \leq 0.1$	$L \leq 2.0$	neglected																				
C		$2.0 < L \leq 4.0$	3																				
D		$4.0 < L$	0																				
E	$0.1 < W$	—	According to Circular																				
Contrast variation	<div style="text-align: center;">  $d = (a + b) / 2$ <table border="1" data-bbox="587 1821 1393 2007"> <thead> <tr> <th>Category</th> <th>Size (mm)</th> <th>Acceptable number</th> </tr> </thead> <tbody> <tr> <td>A</td> <td>$d \leq 0.5$</td> <td>neglected</td> </tr> <tr> <td>B</td> <td>$0.5 < d \leq 0.7$</td> <td>3</td> </tr> <tr> <td>C</td> <td>$0.7 < d$</td> <td>0</td> </tr> </tbody> </table> </div>	Category	Size (mm)	Acceptable number	A	$d \leq 0.5$	neglected	B	$0.5 < d \leq 0.7$	3	C	$0.7 < d$	0										
Category	Size (mm)	Acceptable number																					
A	$d \leq 0.5$	neglected																					
B	$0.5 < d \leq 0.7$	3																					
C	$0.7 < d$	0																					

Inspection item	Judgement standard																			
Polarizer (Scratch, Bubble, Dent)	<p data-bbox="544 248 710 277">(1) Scratch</p>  <table border="1" data-bbox="560 689 1422 1021"> <thead> <tr> <th></th> <th>Width (mm)</th> <th>Length (mm)</th> <th>Acceptable No.</th> </tr> </thead> <tbody> <tr> <td>A</td> <td>$W \leq 0.1$</td> <td>—</td> <td>neglected</td> </tr> <tr> <td>B</td> <td rowspan="2">$0.1 < W \leq 0.3$</td> <td>$L \leq 5.0$</td> <td>neglected</td> </tr> <tr> <td>C</td> <td>$5.0 < L$</td> <td>0</td> </tr> <tr> <td>D</td> <td>$0.3 < W$</td> <td>—</td> <td>0</td> </tr> </tbody> </table>		Width (mm)	Length (mm)	Acceptable No.	A	$W \leq 0.1$	—	neglected	B	$0.1 < W \leq 0.3$	$L \leq 5.0$	neglected	C	$5.0 < L$	0	D	$0.3 < W$	—	0
	Width (mm)	Length (mm)	Acceptable No.																	
A	$W \leq 0.1$	—	neglected																	
B	$0.1 < W \leq 0.3$	$L \leq 5.0$	neglected																	
C		$5.0 < L$	0																	
D	$0.3 < W$	—	0																	
	<p data-bbox="544 1070 810 1099">(2)Bubble (dent)</p>  <table border="1" data-bbox="587 1675 1393 2007"> <thead> <tr> <th>Category</th> <th>Size (mm)</th> <th>Acceptable number</th> </tr> </thead> <tbody> <tr> <td>A</td> <td>$d \leq 0.2$</td> <td>neglected</td> </tr> <tr> <td>B</td> <td>$0.2 < d \leq 0.3$</td> <td>5</td> </tr> <tr> <td>C</td> <td>$0.3 < d \leq 0.5$</td> <td>3</td> </tr> <tr> <td>D</td> <td>$0.5 < d$</td> <td>0</td> </tr> </tbody> </table>	Category	Size (mm)	Acceptable number	A	$d \leq 0.2$	neglected	B	$0.2 < d \leq 0.3$	5	C	$0.3 < d \leq 0.5$	3	D	$0.5 < d$	0				
Category	Size (mm)	Acceptable number																		
A	$d \leq 0.2$	neglected																		
B	$0.2 < d \leq 0.3$	5																		
C	$0.3 < d \leq 0.5$	3																		
D	$0.5 < d$	0																		